

PANNELLOFILOMURO

direttamente dalla fabbrica a casa tua

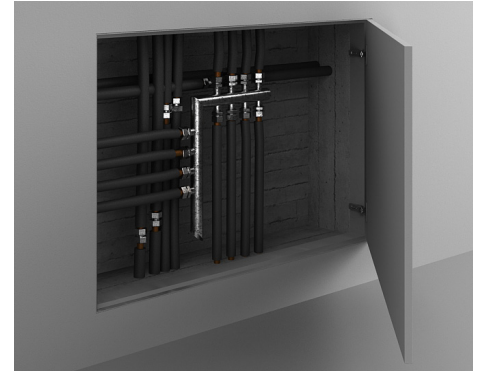
MADE
IN
ITALY

www.invisible-door.com

Access panel: product description

The invisible Invisible-door access panel enables to close recesses and technical spaces keeping a seamless continuity between wall and panel, thanks to a perfectly integrated frame with both masonry and plasterboard and to the use of rollaway adjustable hinges.

The MDF shutter can be processed according to the client or designer's requirements, allowing to stylishly hide technical elements or to transform recesses into storage compartments perfectly integrated with the wall.

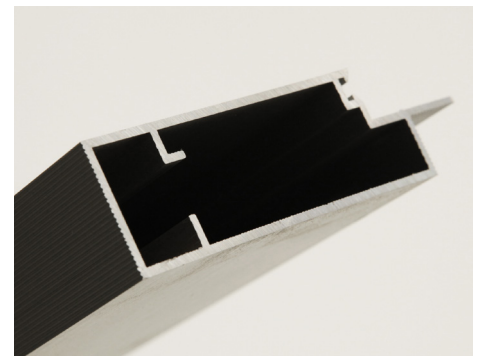


Technical features and details

The single Invisible-door frame perfectly integrates with masonry and plaster board walls. The press-drawn section is in anodised aluminium, alloy 6060, and satin silver finished. It is supplied with a dust brush on the sides of the door slam.

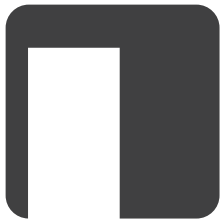
The mdf 19 mm thick panel is pre installed on the frame and, supplied, at your choice, with push-pull opening system to avoid any handle, or with a magnetic lock provided with a knob.

Adjustable hinges come standard on INVISIBLE-DOOR doors and access panels enabling to keep doors perfectly aligned thanks to easy adjustment of proper regulators.



Available sizes and models

The Invisible-door access panel is available customized up to 1500 mm width and 2700 mm height, with pulling openings on the right and on the left, both in single or double leaf model.



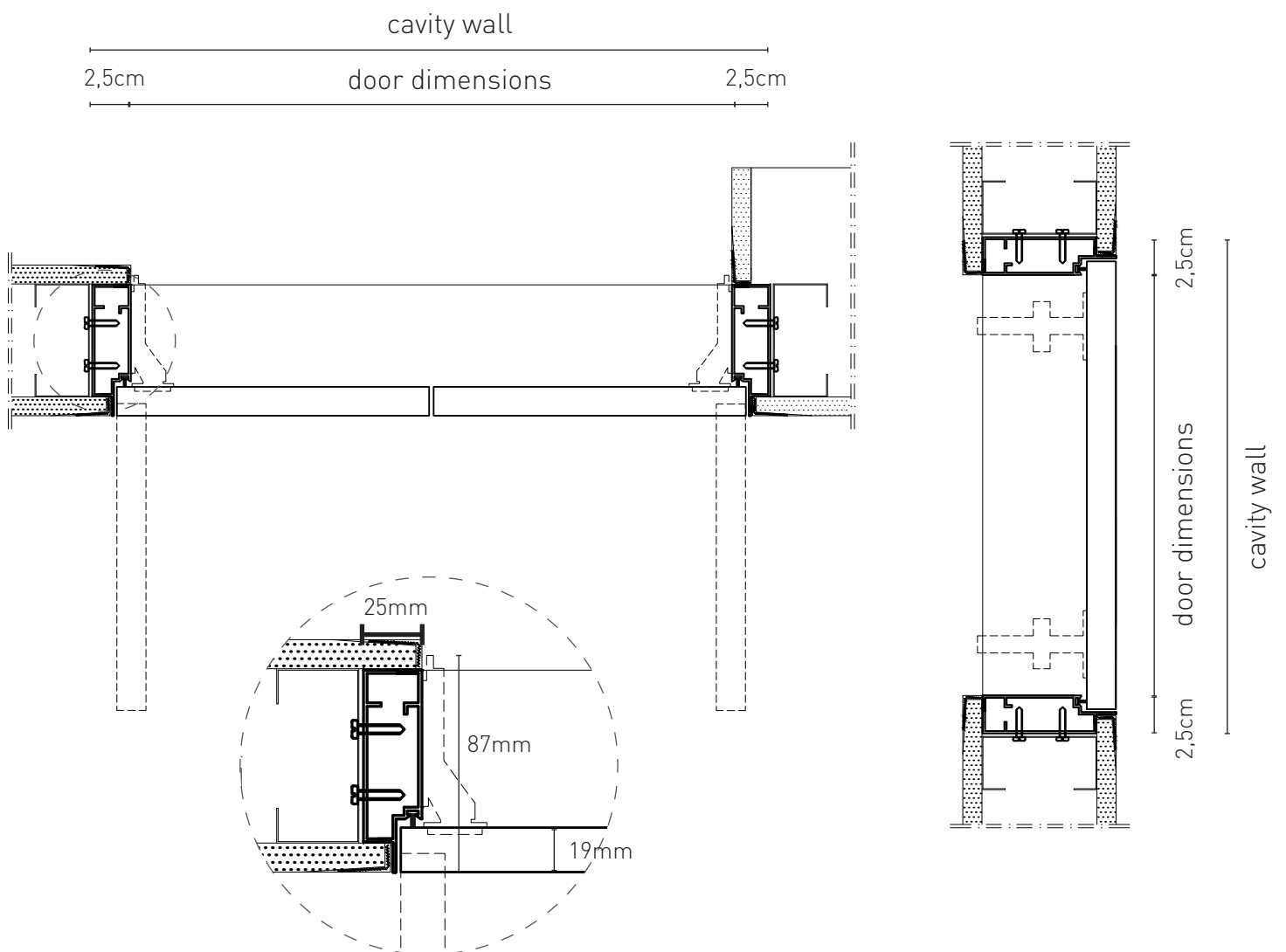
PANNELLOFILOMURO

direttamente dalla fabbrica a casa tua

MADE
IN
ITALY

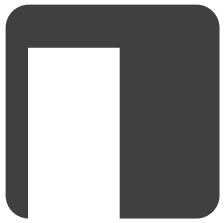
www.invisible-door.com

Access panel: door panel and frame sizes



Maximum overall sizes on the outer side of the frame (cavity wall needed) are **+5 cm** in width and **+5 cm** in height, compared with the door sizes.

Ex: if you choose a door with the sizes of **40 x 60 cm**, the frame overall (cavity wall needed) will be **45 x 65 cm**.



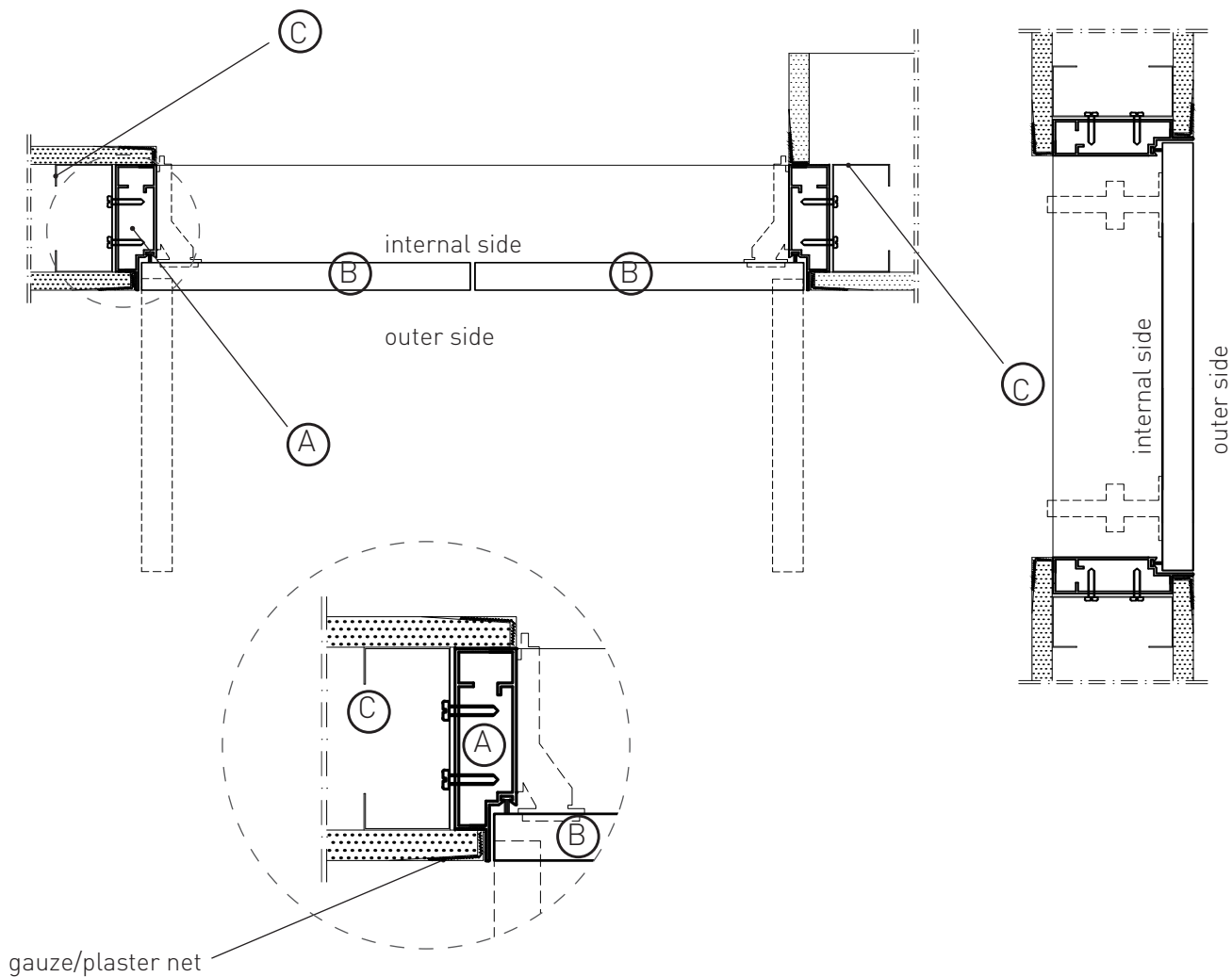
PANNELLOFILOMURO

direttamente dalla fabbrica a casa tua

MADE
IN
ITALY

www.invisible-door.com

Access panel: installation instructions - plasterboard



- Insert in the wall space the door complete with door panels "B" already assembled on the frame "A", taking care of respecting the plumb line and alignment in all directions.
- Fix the frame anchoring it directly to the plasterboard "C" using specific sheet metal screws.
- If the plasterboard wall has already been finished, screw the frame on the internal side keeping the doors opened (**figure 1**).
- Place the gauze and filler carefully on the attachments between the masonry and the aluminium frame.

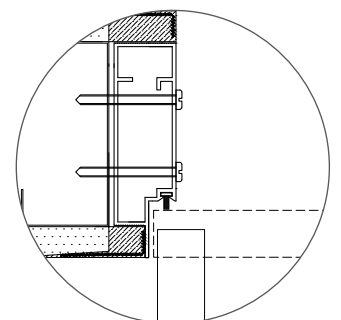
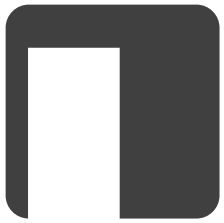


figure 1



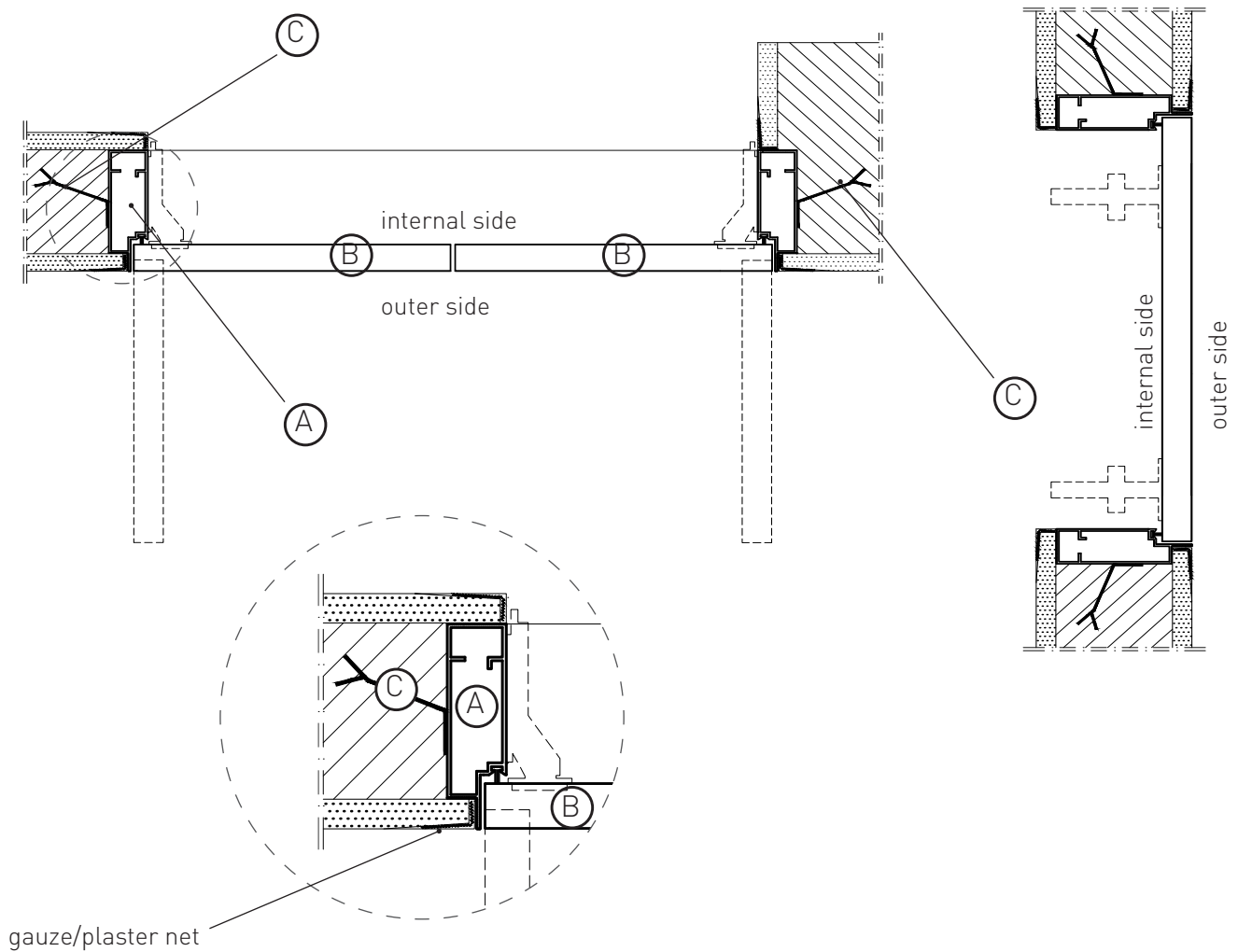
PANNELLOFILOMURO

direttamente dalla fabbrica a casa tua

MADE
IN
ITALY

www.invisible-door.com

Access panel: installation instructions - masonry



- Insert in the wall space the door complete with door panels "B" already assembled on the frame "A", taking care of respecting the plumb line and the alignment in all directions.
- Fix the frame walling the brackets already placed on the frame "C".
- Place carefully the gauze and the filler between the parts of attachment of the plaster and the aluminum frame.